



FREQUENCY DOUBLED, DIODE-PUMPED Nd:YAG LASER

MODEL ILM-200MQG-DUAL

An innovative laser optics design, combined with an industrial-grade power supply, results in an extraordinarily reliable and rugged diode-pumped Nd:YAG laser for industrial use. A totally solid-state laser for trouble-free manufacturing! The DUAL configuration doubles average power, adding flexible controls for dual modulation. This offers the ability to double the peak energy, double the frequency, or widen and vary the pulse width.

Features:

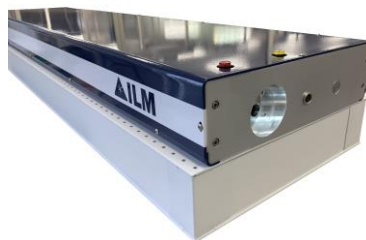
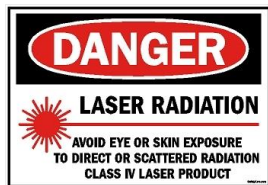
- Efficient diode optical pumping for improved performance and reliability
- High power output from small diameter, low divergence beam
- Q-switched pulse stability 1% rms up to 30 kHz
- Efficient water/water heat exchanger cooling system
- Uses intracavity SHG assembly with LBO harmonic generator crystal
- Customer interfaces include: Ethernet, serial, wireless
- "CE Mark" Certified; this is a CDRH Class IV laser product

Applications:

- Aerospace
- Diamond Cutting
- Medical
- Semiconductor
- Scientific
- Entertainment

Beam Attributes	
Wavelength	532 nm
Transverse Mode	Multimode
Beam Diameter, nominal	2.0 mm (before beam expansion)
Beam Divergence (full angle), nominal	≤ 5 mRad (before beam expansion)
Polarization	Linear (Horizontal and Vertical combined)

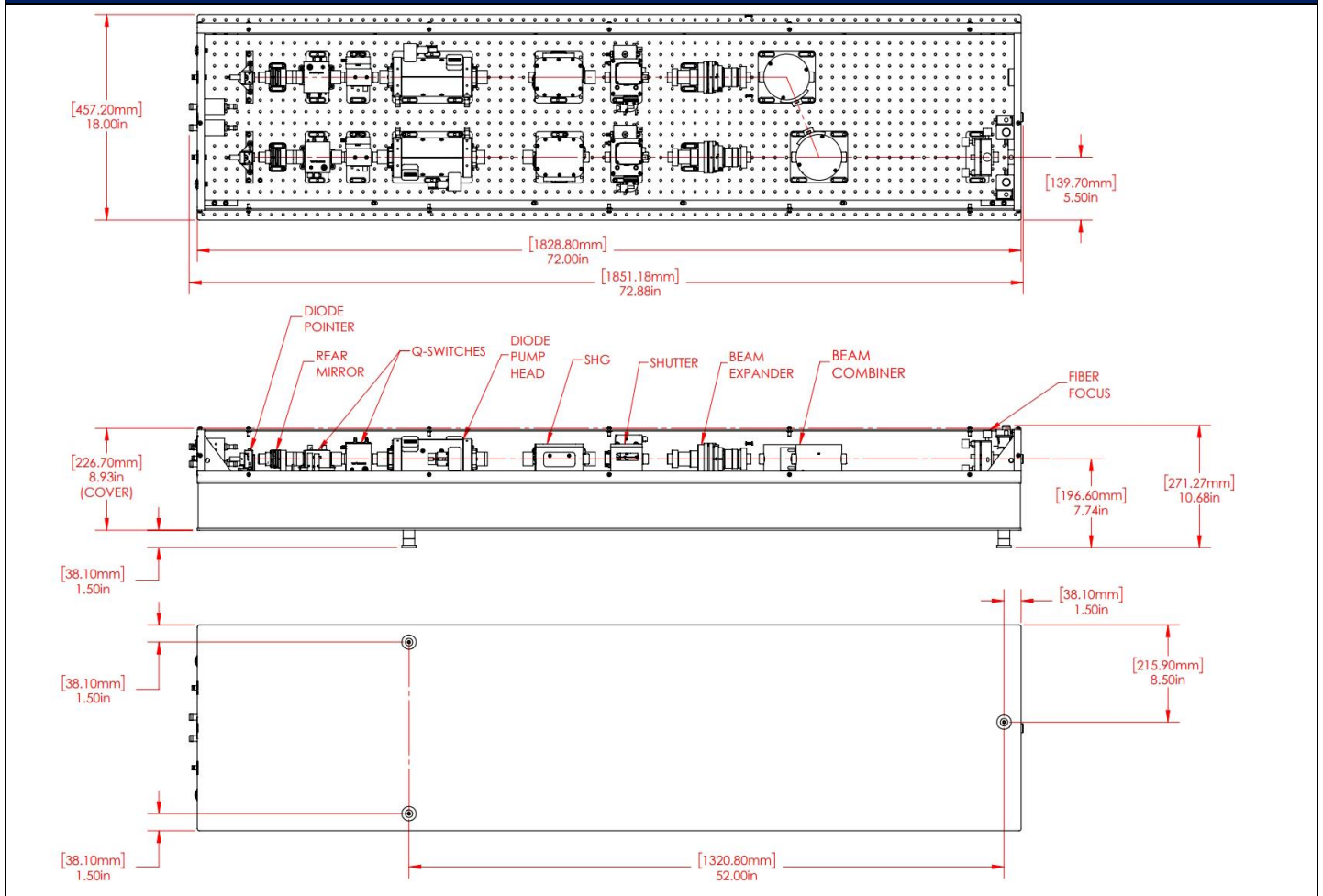
Specifications						
Frequency (kHz):	5	10*	20	30	40	50
Average Power (W):	160	200*	200	180	170	160
Pulse Energy (mJ):	32	20*	10	6.4	4.6	3.4
Pulse Width (ns), nominal:	90	100*	150	250	300	350
Peak Pulse Power (kW):	356	200*	66.6	24.0	14.2	9.2
Optical Resonator Length, standard	1829 mm					
Power Station Dimensions (2X)	700H x 507W x 460D mm					
Recommended Service (2X)	220 +/- 10% VAC, 1-phase, 50/60 Hz, 20A					
Average Consumption (2X)	2.8 kW, maximum					
Internal, water/water cooled (2X)	City water cooled, 8 L/m @ 16° C max temp. Self-contained refrigerated chiller optionally available.					



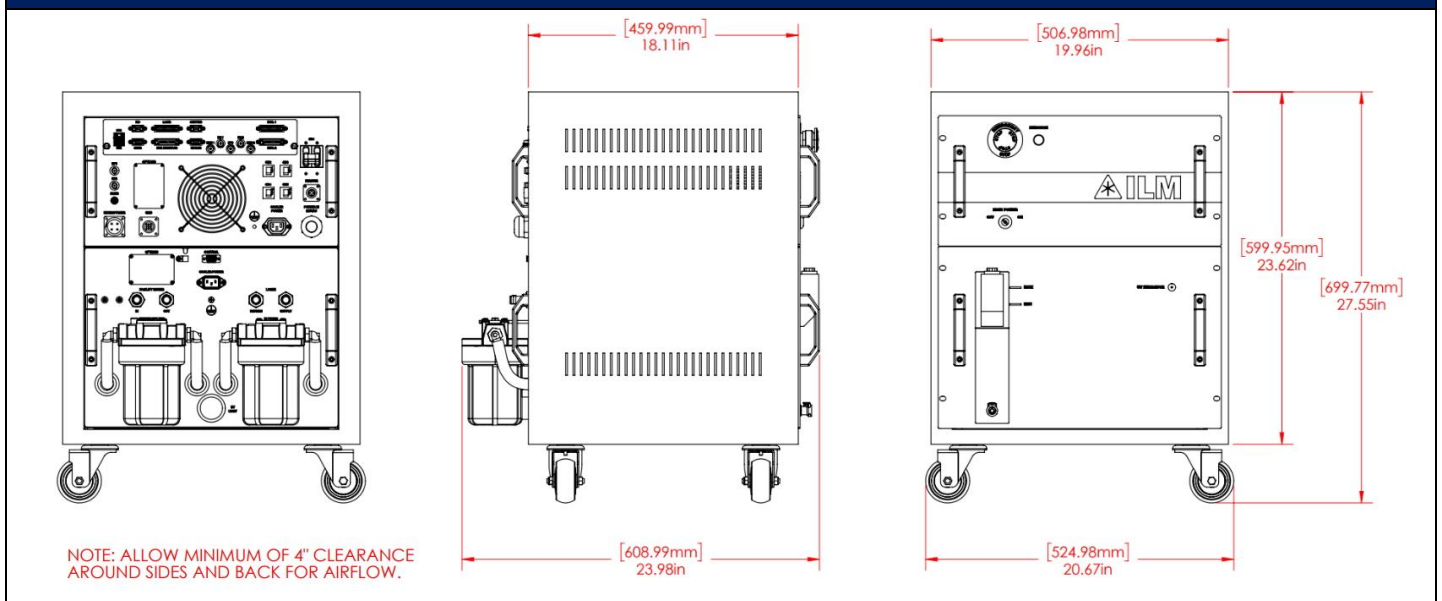
*Laser is specified at 10kHz, all other values are typical.

ILM follows a policy of continuous improvement. Specifications are subject to change without notice.

Resonator Dimensions



Power Station / Cooler Dimensions (2 Power Stations / Coolers Included)



www.ilmlaser.com | 407-571-9342 | sales@ilmlaser.com

Made in the USA

